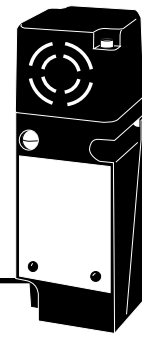


# Inductive Limit Switch Style

# AC/DC



Proximity Sensors

## AC/DC 20-230V 13mm (Unshielded) Sensing Range

Connector Type	Circuit Description	Sensing Face	Housing Dimensions	Shielded Model No.	Unshielded Model No.	Maximum Load Current	Leakage Current	Voltage Drop*	Maximum Switching Frequency	Short Circuit Protected
<b>COMPLETE ASSEMBLIES</b>										
Terminal	2W, AC/DC, NO	Side	43x41x117mm	—	EE630-50510	500mA	1.7mA	<10V	15Hz	yes
Terminal	2W, AC/DC, NC	Side	43x41x117mm	—	EE630-50610	500mA	1.7mA	<10V	15Hz	yes
Terminal	2W, AC/DC, NO	Top	43x41x117mm	—	EE630-54510	500mA	1.7mA	<10V	15Hz	yes
Terminal	2W, AC/DC, NC	Top	43x41x117mm	—	EE630-54610	500mA	1.7mA	<10V	15Hz	yes
<b>SENSING HEADS</b>										
—	2W, AC/DC, NO	Side	N/A	—	EE631-00510	500mA	1.7mA	<10V	15Hz	yes
—	2W, AC/DC, NC	Side	N/A	—	EE631-00610	500mA	1.7mA	<10V	15Hz	yes
—	2W, AC/DC, NO	Top	N/A	—	EE631-04510	500mA	1.7mA	<10V	15Hz	yes
—	2W, AC/DC, NC	Top	N/A	—	EE631-04610	500mA	1.7mA	<10V	15Hz	yes
<b>BASE ASSEMBLY</b>										
Terminal	—	—	N/A	—	EE631-51000	500mA	1.7mA	<10V	15Hz	yes

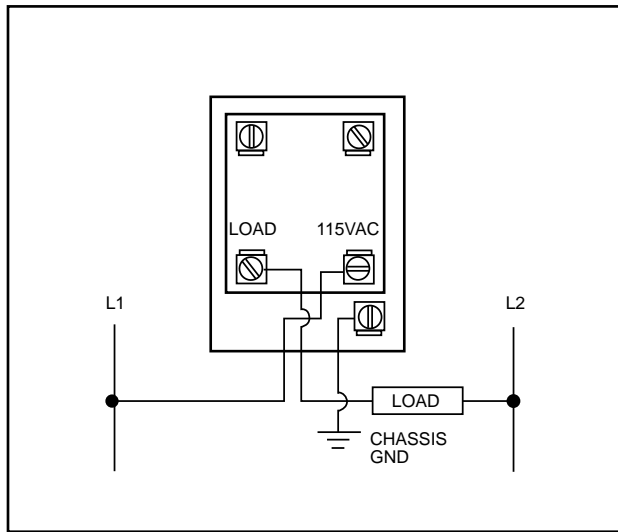
\* Across conducting sensor



# Common Sensor Characteristics

LIMIT SWITCH STYLE SENSORS	
Sensing Distance	0.5" ±10%
Repeatability	<±1%
Hysteresis	10%
Ambient Temperature Range	-4°F to +158°F
Reverse Polarity Protected	yes
NEMA Enclosure Type	1, 12, 13
Operating Temperature Range	-20°C to +70°C
LED Indicators	red = power green = target
Shipping Weight	14 oz.

# Wiring Diagram

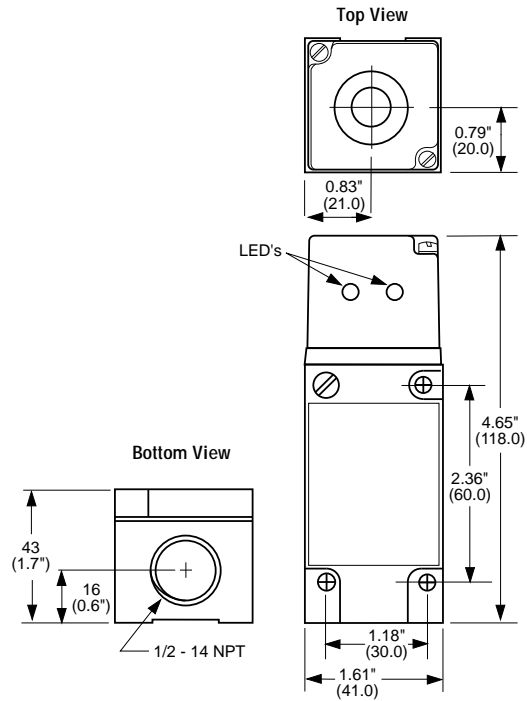


# Dimensional Drawings

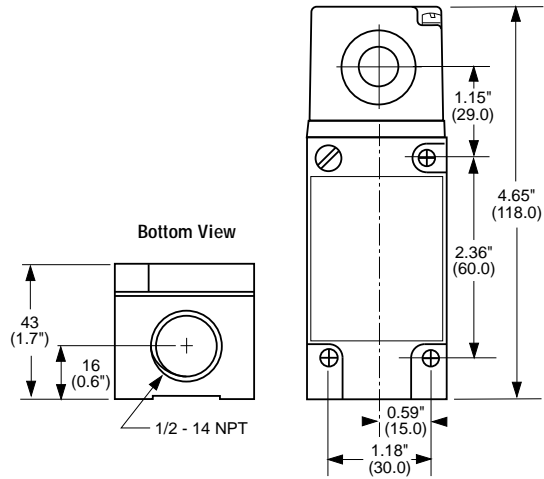
AC/DC

Proximity Sensors

## TOP SENSE MODELS



## SIDE SENSE MODELS



**NAMCO**

2013 West Meeting Street • Lancaster, SC 29720  
1-803-286-8491 • FAX: 1-800-678-6263  
www.namcocontrols.com

For technical assistance, call 1-800-NAMTECH